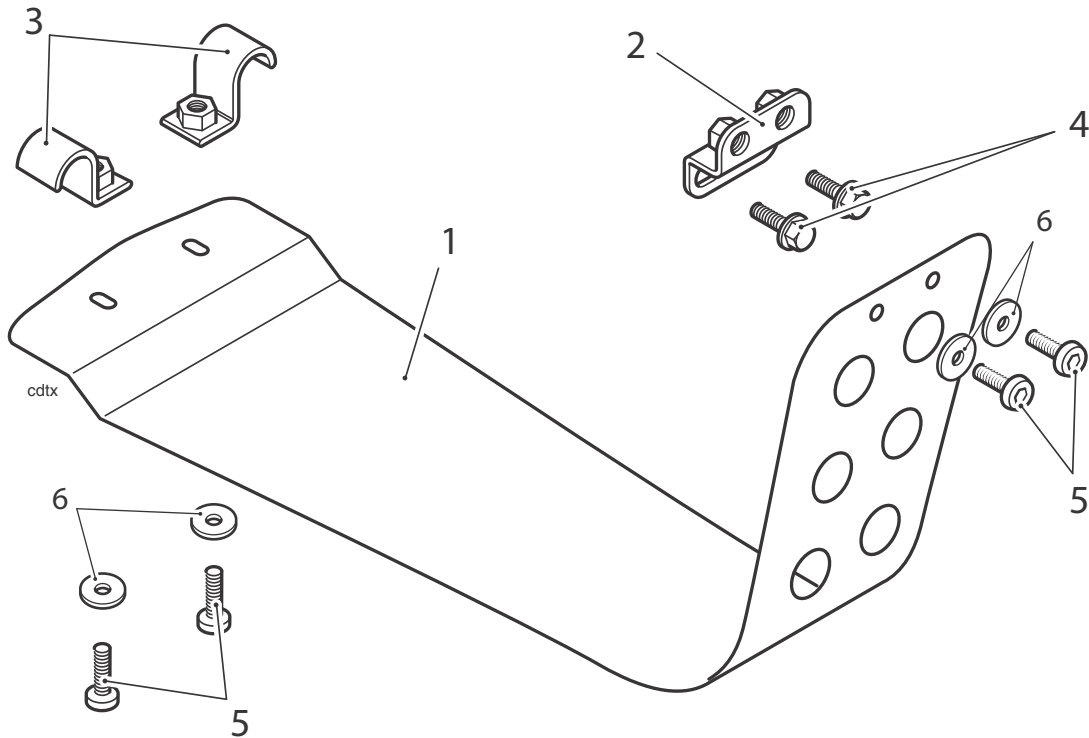


Fitting Instructions:
 Bonneville, Bonneville T100, Scrambler &
 Thruxton
 Skid Plate Kit - A9708044 & A9708190



Parts Supplied:

1. Skid plate	1 off	4. Bolt, M8 x 20 mm	2 off
2. Bracket, front	1 off	5. Screw, M8 x 16 mm	4 off
3. Bracket, rear	2 off	6. Washer, M8	4 off

Warning

This accessory kit is designed for use on Triumph Bonneville, Bonneville T100, Thruxton and Scrambler motorcycles only and should not be fitted to any other Triumph model or to any other manufacturer's motorcycle. Fitting this accessory kit to any other Triumph model or to any other manufacturer's motorcycle, may interfere with the rider and could affect the stability and handling of the motorcycle leading to loss of control and an accident.

Warning

Always have Triumph approved parts, accessories and conversions fitted by a trained technician of an authorised Triumph dealer. The fitment of parts, accessories and conversions by a technician who is not of an authorised Triumph dealer may affect the handling, stability or other aspects of the motorcycles operation which may result in loss of motorcycle control and an accident.

Warning

Throughout this operation, ensure that the motorcycle is stabilised and adequately supported on a paddock stand to prevent risk of injury from the motorcycle falling.

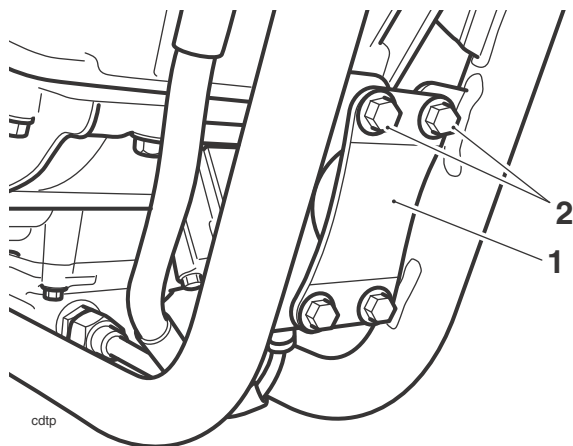
NOTE

- **Completely read all the instructions before commencing the installation and set up of the accessory kit in order to become thoroughly familiar with the kit's features and the installation process.**

1. Remove the seat and disconnect the battery, negative (black) lead first.
2. Slacken and remove the upper two bolts from the downtube brace.

NOTE

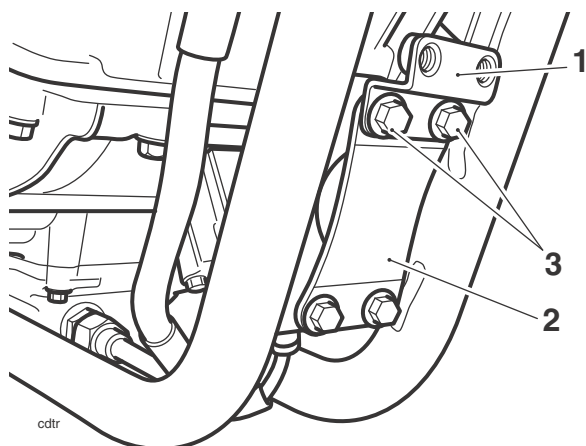
- **Retain the bolts for re-use if the motorcycle is returned to original condition.**



1. Downtube brace

2. Upper bolts

3. Secure the front bracket from the kit to the downtube brace with the two M8 x 20 mm bolts supplied. Tighten the bolts to **22 Nm**.



1. Front bracket

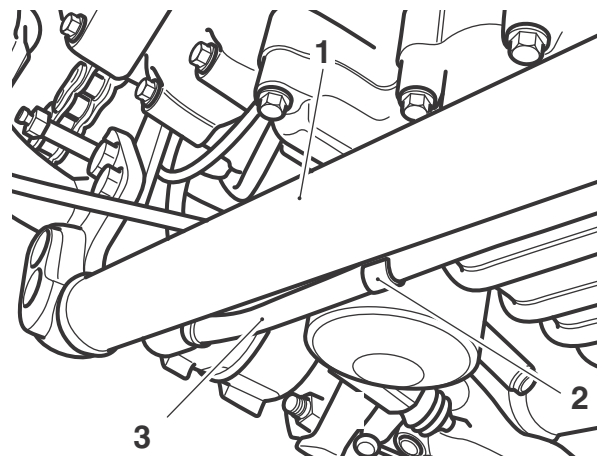
2. Downtube brace

3. M8 x 20 mm bolts

4. Release the starter motor electrical lead from the middle frame clip and remove the clip from the frame rail.

NOTE

- **Retain the frame clip for re-use if the motorcycle is returned to original condition.**
- **The starter motor electrical cable is supported by the skid plate once fitted.**

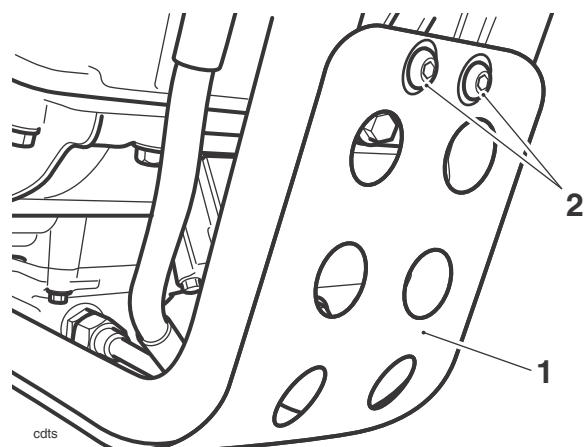


1. Right-hand frame rail

2. Middle frame clip

3. Starter motor electrical lead

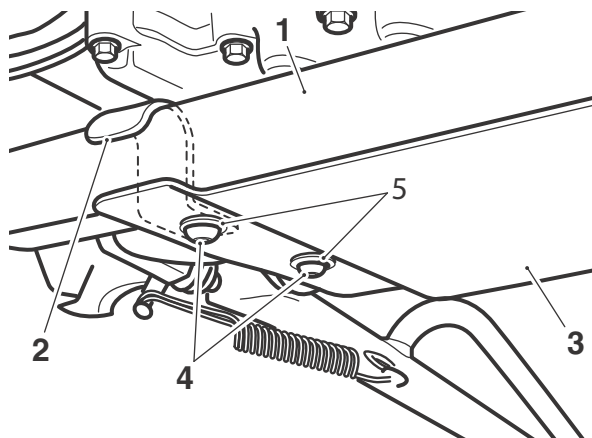
5. Loosely secure the skid plate to the front bracket with the supplied M8 x 16 mm screws and washers.



1. Skid plate

2. M8 x 16 mm screws and washers

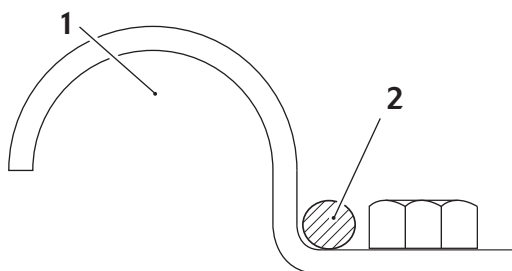
6. Hook a rear bracket from the kit over the right-hand frame rail and secure to the skid plate using the M8 x 16 mm screws and washers. Fit the remaining rear bracket to the left-hand frame rail in the same manner. Tighten both screws to **18 Nm**.



1. Right-hand frame rail
2. Rear bracket
3. Skid plate
4. M8 x 16 mm screws
5. Washers, M8

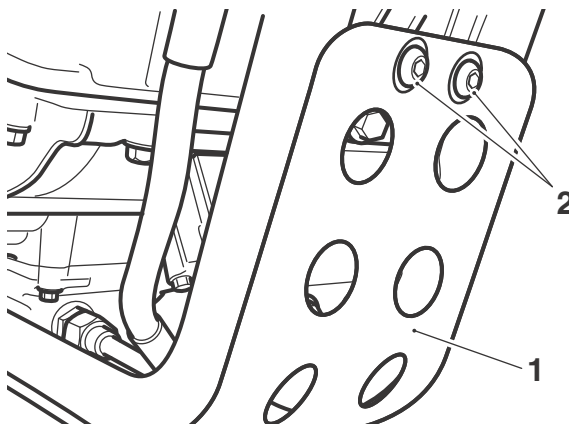
NOTE

- Ensure that the starter motor electrical cable released in step 4 is not trapped by the right-hand rear bracket or the skid plate. Route the cable as shown.



1. Rear bracket
2. Starter motor cable

7. Tighten the M8 x 16 mm screws securing the skid plate to the front bracket to **18 Nm**,



1. Skid plate
2. M8 x 16 mm screws and washers

8. Reconnect the battery, positive (red) lead first and refit the seat.



Caution

The skid plate kit does not provide complete protection from damage to the underside of the motorcycle. Care must be taken to avoid contact between the underside of the motorcycle and any hard or sharp objects. Damage to the underside of the motorcycle may occur if it is allowed to come into contact with any hard or sharp objects.