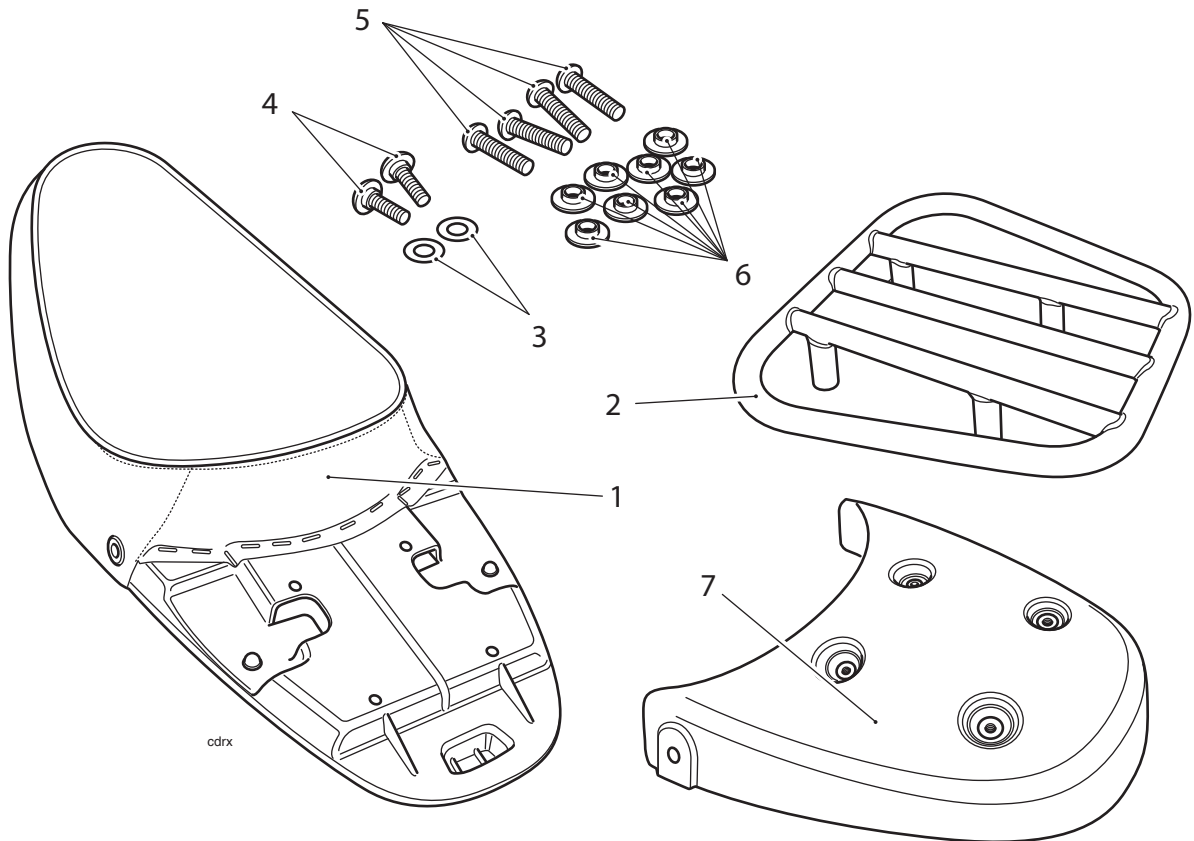


**Fitting Instructions:
Single Seat & Rack Kit**



**Scrambler - A9708024
Bonneville - A9708075, A9708096, A9708097**



Parts Supplied:

1. Seat, single	1 off	5. Screw, button head, M6	4 off
2. Rack assembly	1 off	6. Flanged sleeve	8 off
3. Washer, nylon	2 off	7. Cowl	1 off
4. Screw, shouldered, M5	2 off		

Warning

This accessory kit is designed for use on Triumph Scrambler & Bonneville motorcycles only and should not be fitted to any other Triumph model or to any other manufacturer's motorcycle. Fitting this accessory kit to any other Triumph model or to any other manufacturer's motorcycle, may interfere with the rider and could affect the stability and handling of the motorcycle leading to loss of control and an accident.

Warning

Always have Triumph approved parts, accessories and conversions fitted by a trained technician of an authorised Triumph Dealer. The fitment of parts, accessories and conversions by a technician who is not of an authorised Triumph dealer may affect the handling, stability or other aspects of the motorcycles operation which may result in loss of motorcycle control and an accident.

Warning

Throughout this operation, ensure that the motorcycle is stabilised and adequately supported on a paddock stand to prevent risk of injury from the motorcycle falling.

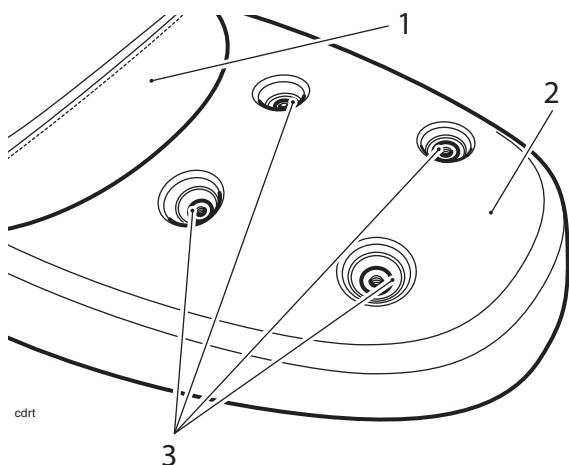
NOTE

- **Completely read all the instructions before commencing the installation and set up of the single seat and rack kit in order to become thoroughly familiar with the kit features and the installation process.**

! Caution

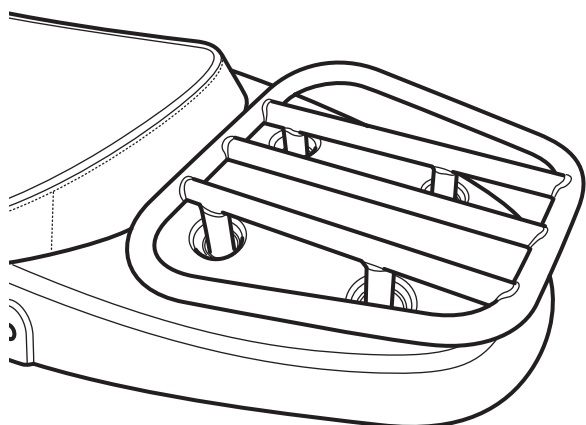
To help prevent damage to the seat and rack kit, carry out the following procedures on a soft, non-abrasive surface.

1. Recover the seat and cowl from the fitting kit.
2. Position the cowl to the rear of the seat, align the fixing holes and insert four of the supplied flanged sleeves such that the smaller diameter of the sleeve is inside the fixing hole.



1. Seat
2. Seat cowl
3. Flanged sleeves

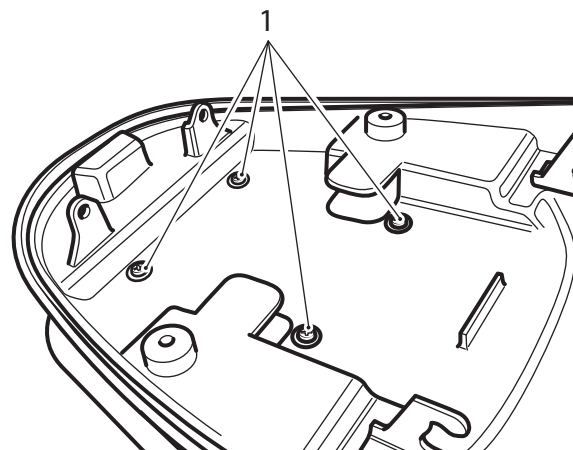
3. Position the feet of the rack to the flanged sleeves as shown.



4. Carefully invert the whole assembly to gain access to the underside of the seat.

NOTE

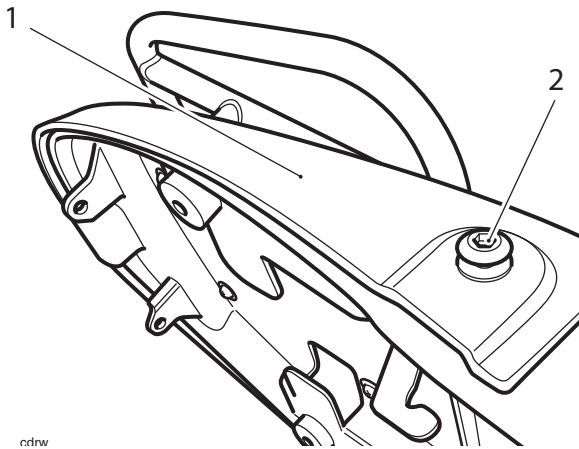
- **Ensure that the flanged sleeves remain in position when inverting the assembly.**
5. Insert the remaining flanged sleeves into the fixing holes on the underside of the seat such that the smaller diameter of the sleeve is inside the fixing hole. Secure the rack and cowl with the supplied M6 screws. Tighten the screws to **9 Nm**.



1. Flanged sleeves and M6 screws

6. Using the supplied M5 bolts and washers, secure the edge of the seat

cowl to the seat on each side. Tighten the screws to **3 Nm**.

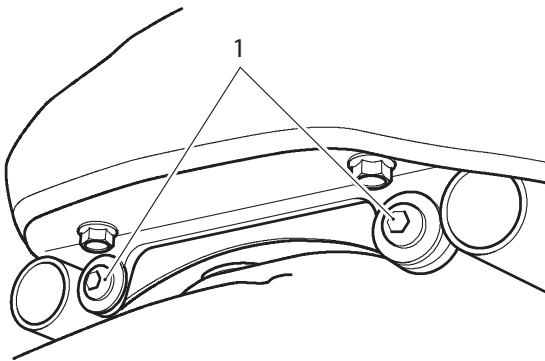


cdnw

1. Seat cowl (right-hand side shown)

2. M5 bolt and washer

7. Undo and remove the screws and flanged sleeves located at the rear of the original seat.



1. Seat screws

8. Remove the original seat.

NOTE

- **Retain the original seat for re-use if the motorcycle is returned to original condition.**

9. Fit the new seat and rack assembly using the original fixings. Locate the seat to the frame ensuring the locating tongue on the underside of the seat is positioned beneath the fuel tank bridge. Tighten the seat screws to **10 Nm**.

! Warning

The maximum load that may be carried on the luggage rack is 5 Kg (11 lbs).

Incorrect loading of the luggage rack may result in an unsafe riding condition leading to loss of motorcycle control and an accident. Always ensure any loads carried are evenly distributed on both sides of the motorcycle. Ensure that the load is correctly secured such that it will not move around while the motorcycle is in motion.

Check the load security regularly (though not while the motorcycle is in motion) and ensure that the load does not extend beyond the rear of the motorcycle.

Never exceed the maximum vehicle loading weight of 217 Kg (477 lbs).

! Warning

The luggage rack must not be used to carry sharp objects, or objects which extend beyond the extremities of the rack. Carriage of such items may interfere with, or distract, the rider or passenger and could affect the stability and handling of the motorcycle leading to loss of control and an accident.

! Warning

After fitting the accessory kit the motorcycle will exhibit new handling characteristics. Operate the motorcycle in a safe area free from traffic to gain familiarity with any new handling characteristics. Operation of the motorcycle when not familiar with any new handling characteristics may result in loss of motorcycle control and an accident.

 **Warning**

If, after fitment of the accessory kit, there is any doubt as to any aspect of the performance of the motorcycle, contact an authorised Triumph dealer and do not ride the motorcycle until the authorised dealer has declared it fit for use. Riding a motorcycle when there is any doubt as to any aspect of the performance of the motorcycle may result in loss of control of the motorcycle leading to loss of motorcycle control and an accident.

 **Warning**

Never ride an accessory equipped motorcycle (including those fitted with Triumph approved windscreens and luggage systems) at speeds above 130km/h (80 m.p.h.).

The presence of accessories such as windscreens and luggage systems will cause changes in the stability and handling of the motorcycle. Failure to allow for changes in motorcycle stability may lead to loss of control or an accident. Remember that the 130km/h (80 m.p.h.) limit will be reduced by the fitting of non-approved accessories, incorrect loading, worn tyres, overall motorcycle condition and poor road or weather conditions.

 **Warning**

Only operate this Triumph motorcycle at high speed in closed-course on-road competition or on closed course racetracks. High-speed operation should only then be attempted by riders who have been instructed in the techniques necessary for high speed riding and are familiar with the motorcycle's characteristics in all conditions.

High-speed operation in any other circumstances is dangerous and will lead to loss of motorcycle control and an accident.