

# Clutch Lifter Arm Cover Fitting Instructions – Speedmaster, America and Bonneville



**!** **WARNING:** Always have Triumph approved parts, accessories and conversions fitted by a trained technician of an authorised Triumph Dealer. The fitment of parts, accessories and conversions by a technician who is not of an authorised Triumph dealer may affect the handling, stability or other aspects of the motorcycles operation which may result in an accident causing injury or death.

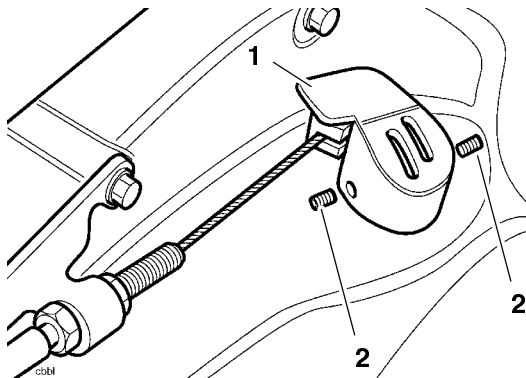
**!** **WARNING:** This clutch lifter arm cover is designed for use solely on the Triumph Speedmaster, America and Bonneville models and should not be fitted to any other Triumph model or to any motorcycle of other manufacturers. Fitting this clutch lifter arm cover to any other Triumph model or to any motorcycle of other manufacturers may interfere with the rider and could affect the stability and handling of the motorcycle leading to an accident causing injury or death.

**!** **WARNING:** Throughout this operation, ensure that the motorcycle is stabilised and adequately supported to prevent the risk of injury from the motorcycle falling.

## Parts Supplied:

1. Clutch lifter arm cover ..... 1 off
2. Grub screw ..... 2 off

Position the clutch lifter arm cover as shown below.  
Insert and tighten the two grub screws supplied with the kit.



1. Clutch lifter arm cover
2. Grub screw