

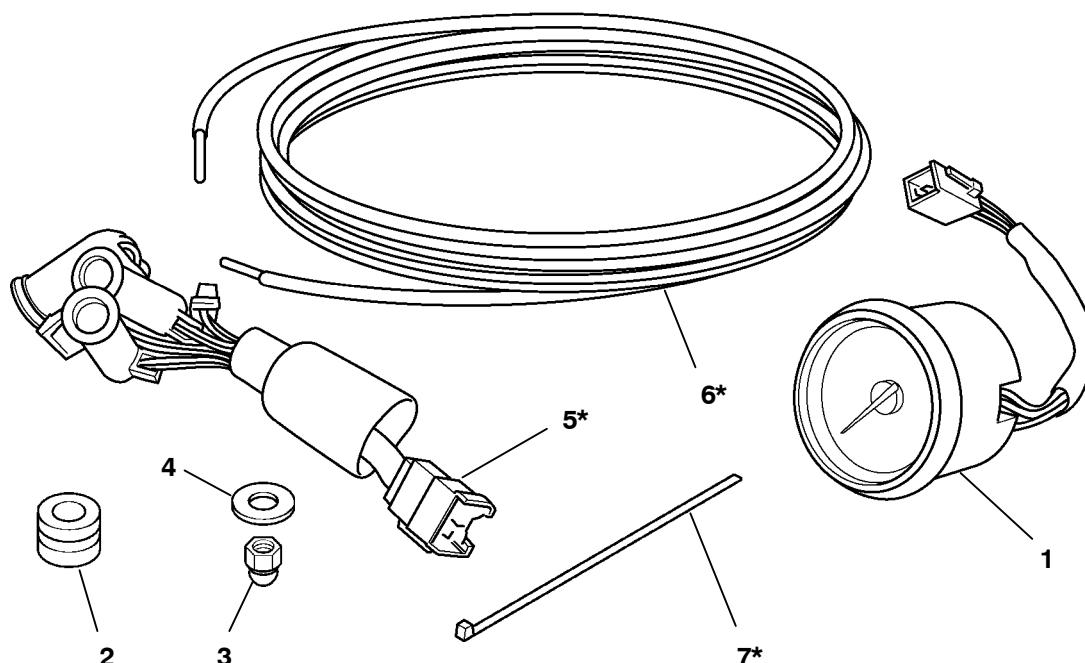
Tachometer Kit Fitting Instructions - Bonneville America



⚠ WARNING: Always have Triumph approved parts, accessories and conversions fitted by a trained technician of an authorised Triumph dealer. The fitment of parts, accessories and conversions by a technician who is not of an authorised Triumph dealer may affect the handling, stability or other aspects of the motorcycle operation which may result in an accident causing injury or death.

⚠ WARNING: Throughout this operation, ensure that the motorcycle is stabilised and adequately supported to prevent the risk of injury from the motorcycle falling.

⚠ WARNING: Always ensure that newly installed wiring does not chafe against other parts of the motorcycle such that they may be rubbed through and cause an electrical problem. In addition, always ensure that newly installed wiring will not restrict steering movement. Both conditions are hazardous and could give rise to a dangerous riding condition resulting in a fire, loss of motorcycle control and/or an accident.



⚠ WARNING: This kit is designed for use solely on Triumph Bonneville America motorcycles and should not be fitted to any other Triumph model or motorcycles of other manufacturers. Fitting this kit to any other Triumph models or motorcycles of other manufacturers may interfere with the rider and could affect the stability and handling of the motorcycle leading to an accident causing injury or death.

Parts Supplied

1. Tachometer gauge	1	5.* Harness	1
2. Grommet	1	6.* Cable	1
3. M5 dome nut	1	7.* Cable tie	15
4. M5 washer	1		

* To identify if items 5, 6 and 7 are required, check the following:
 If the fuel tank console harness has 3 connectors (1 x male 3 pin connector, 1 x male 2 pin connector and 1 x female 2 pin connector) then the fitment of items 5, 6 and 7 is not required.
 If the fuel tank console harness has only 2 connectors (1 x male 3 pin connector, 1 x male 2 pin connector) then items 5, 6 and 7 are required to replace the existing harness.

Instructions part number A9900165 issue 3, ADC 9979

© Triumph Designs 2010

Tachometer Kit Fitting Instructions - Bonneville America



1. Undo the two screws located under the rear of the seat and remove the seat.
2. Disconnect the battery, disconnecting the negative (-) lead first.

Motorcycles requiring fitment of items 5, 6 and 7

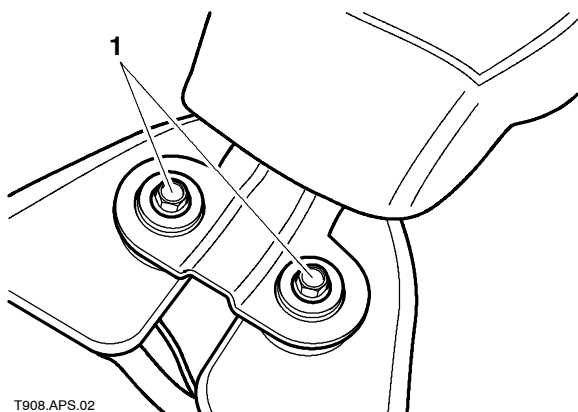
3. Turn the fuel tap OFF and disconnect the hose from the tap.



WARNING: Observe the warning advice given in the service manual on the safe handling of fuel and fuel containers.

A fire, causing personal injury and damage to property could result from spilled fuel or fuel not handled or stored correctly.

4. Slacken and remove the fuel tank mounting bolts.



T908.APS.02

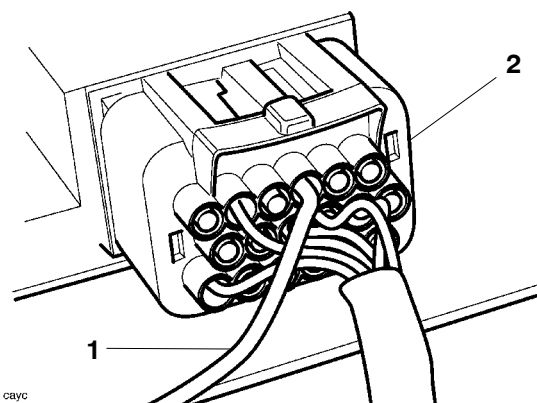
1. Fuel tank mounting bolts

5. Disconnect the breather hose from the right-hand side of the tank.

NOTE: On California models, this hose is the evaporative loss system hose. Plug the hose end whilst it is disconnected.

6. Remove the fuel tank, taking care not to lose the mounting rubbers.

7. Insert one end of the cable supplied with the kit into the igniter connection block as shown below.

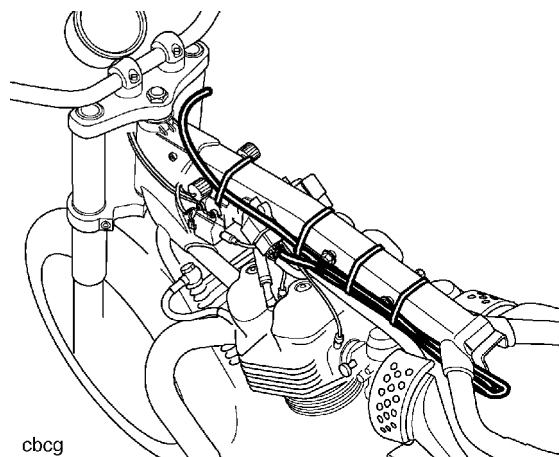


cbayc

1. Cable

2. Igniter connection block

8. Route the cable as shown below. Secure the cable to the main harness and frame at regular intervals using the cable ties supplied with the kit.

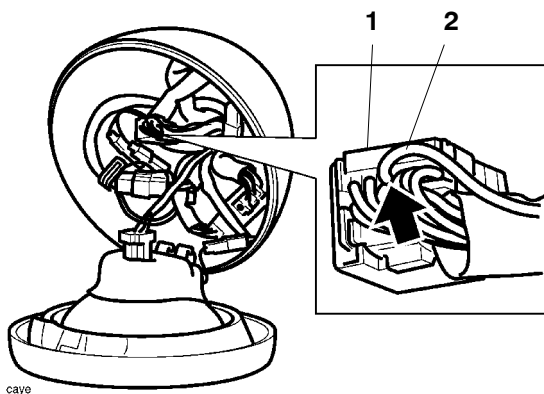


cbcg

Tachometer Kit Fitting Instructions - Bonneville America



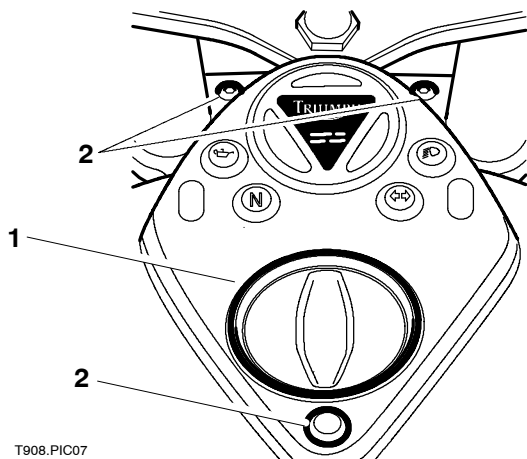
9. Locate the main harness instrument connector block. Insert the free end of the cable into the top row of the connector block 3rd from the left as shown.



- 1. Cable
- 2. Instrument connector block

All motorcycles

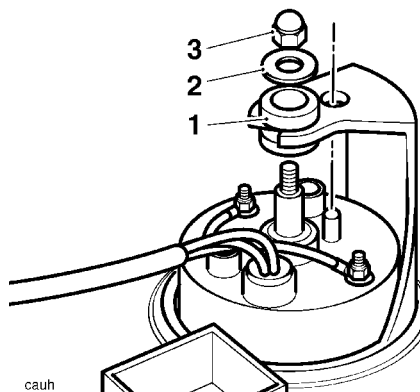
10. Release the screws securing the warning light console to the fuel tank.



- 1. Console
- 2. Screws

11. Raise the console and disconnect the multi-plug connector joining the warning light harness to the main harness.

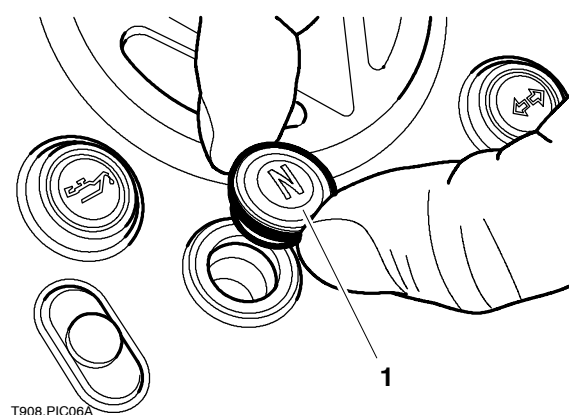
12. From the underside of the console, push out the tachometer blanking plug. Fit the grommet to the tachometer mounting post as shown below. Align the tachometer location peg with the hole in the mounting post and secure using the domed nut and washer supplied with the kit. Tighten the domed nut to 3 Nm.



- 1. Grommet
- 2. Washer
- 3. Domed nut

Motorcycles requiring fitment of items 5, 6 and 7

13. Carefully prise each warning light lens from the upper side of the console.



- 1. Warning light lens

Tachometer Kit Fitting Instructions - Bonneville America



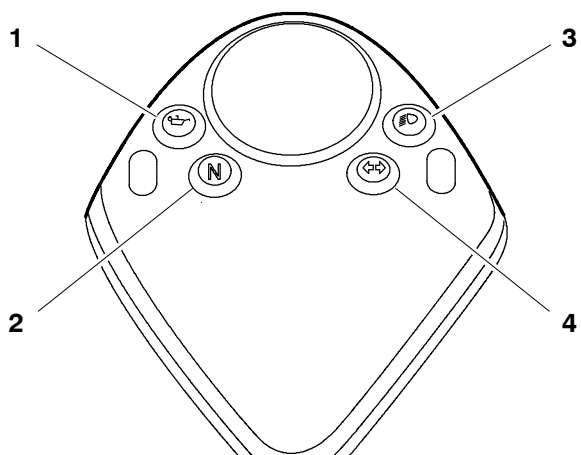
14. Remove the warning light harness from the console.

NOTE: The warning light harness will not be refitted but should be retained for future re-use if the tachometer kit is ever removed.

15. Identify the function of each bulbholder in the replacement warning light harness by reference to their wire colours as follows:

Function	Wire colour
Low oil pressure warning light	White/brown and green/red
Neutral indicator light	Black/white and green/red
High beam indicator light	Blue/white and brown
Turn indicator light	Green/white and green/red

16. Fit the replacement harness to the console locating the bulbholders in the positions shown below.



- 1. Low oil pressure warning light
- 2. Neutral indicator light
- 3. High beam indicator light
- 4. Turn indicator light

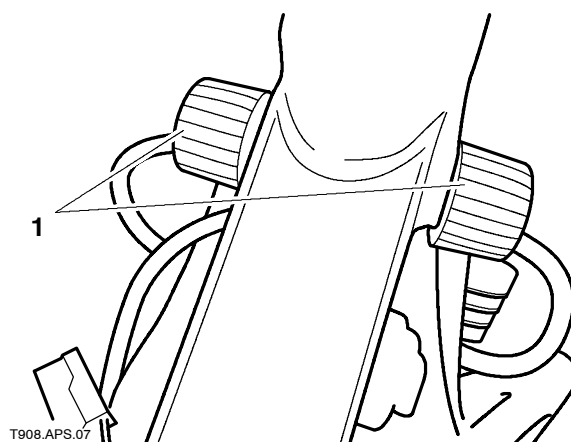
17. Refit the warning light lenses.

All motorcycles

- 18. Position the console to the fuel tank and reconnect the multiplug connector joining the warning light harness to the main harness.
- 19. Connect the tachometer to the main harness or newly fitted cable as appropriate.
- 20. Fit the console and tighten its screws to **5 Nm**.

Motorcycles fitted with items 5, 6 and 7

- 21. Ensure the fuel tank front mounting rubbers are correctly fitted to the frame then refit the tank.



1. Fuel tank front mounting rubbers

- 22. Securely reconnect the fuel hose and breather hose to the tank. On California models connect the evaporative loss system hose.
- 23. Ensure the collars and rear mounting rubbers are correctly fitted then install the fuel tank mounting bolts, tightening them to **9 Nm**.
- 24. Turn the fuel tap ON and check for fuel leaks.

All motorcycles

- 25. Reconnect the battery, connecting the positive (+) terminal first.
- 26. Check for correct operation of all tell-tale lights and instrument illumination.
- 27. Check for correct operation of all other lighting and light signalling devices.
- 28. Install the seat, tightening its screws to **10 Nm**.