

Fitting Instructions:

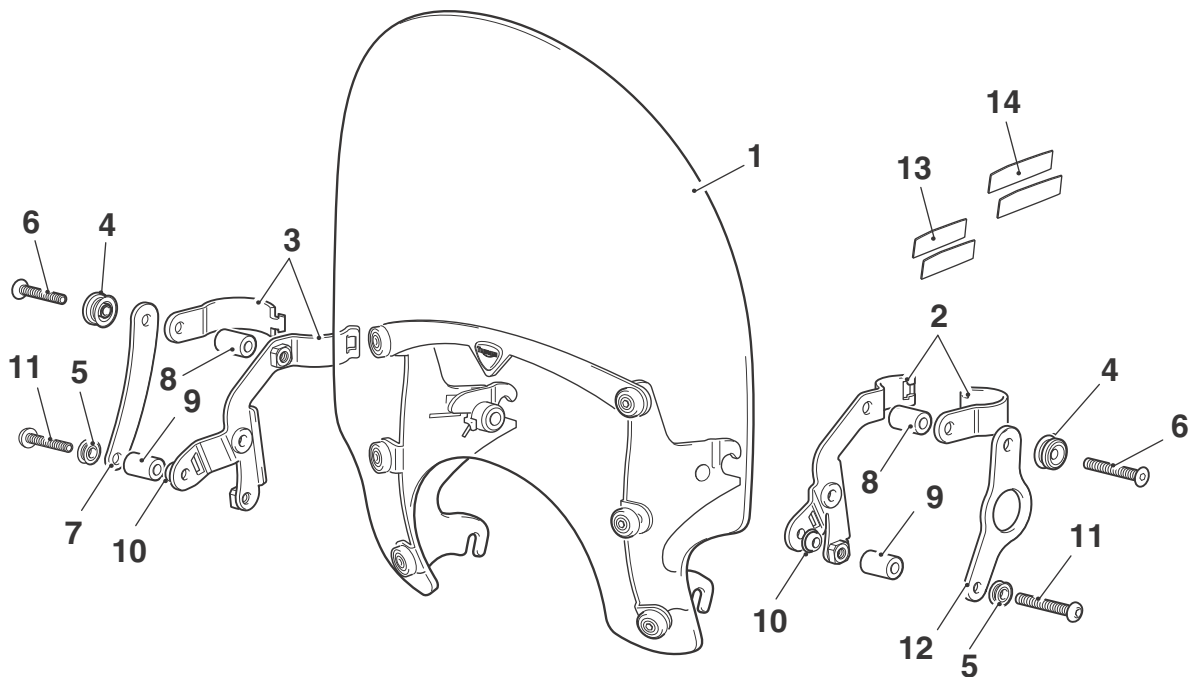
Bonneville and Bonneville T100

A9708204, A9708205, A9708220, A9708221

Thank you for choosing this Triumph genuine accessory kit. This accessory kit is the product of Triumph's use of proven engineering, exhaustive testing, and continuous striving for superior reliability, safety and performance.

Completely read all of these instructions before commencing the installation of the accessory kit in order to become thoroughly familiar with the kit's features and the installation process.

These instructions should be considered a permanent part of your accessory kit, and should remain with it even if your accessory equipped motorcycle is subsequently sold.



Parts Supplied:

1.	Quick release screen assembly	1 off	8.	Large spacer	2 off
2.	Mounting bracket, left hand	1 off	9.	Small spacer	2 off
3.	Mounting bracket, right hand	1 off	10.	Spacer, stainless steel	2 off
4.	Upper mounting	2 off	11.	Screw, button head, M8 x 50	2 off
5.	Lower mounting	2 off	12.	Outer bracket, left hand	1 off
6.	Screw, countersunk head, M8 x 50	2 off	13.	Rubber pad, small	2 off
7.	Outer bracket, right hand	1 off	14.	Rubber pad, large	2 off

Warning

This accessory kit is designed for use on Triumph Bonneville and Bonneville T100 motorcycles only and should not be fitted to any other manufacturer's motorcycle. Fitting this accessory kit to any other manufacturer's motorcycle will affect the performance, stability and handling of the motorcycle. This may affect the rider's ability to control the motorcycle and could cause an accident.

Warning

Always have Triumph approved parts, accessories and conversions fitted by a trained technician of an authorised Triumph dealer. The fitment of parts, accessories and conversions by a technician who is not of an authorised Triumph dealer may affect the handling, stability or other aspects of the motorcycle's operation which may result in loss of motorcycle control and an accident.

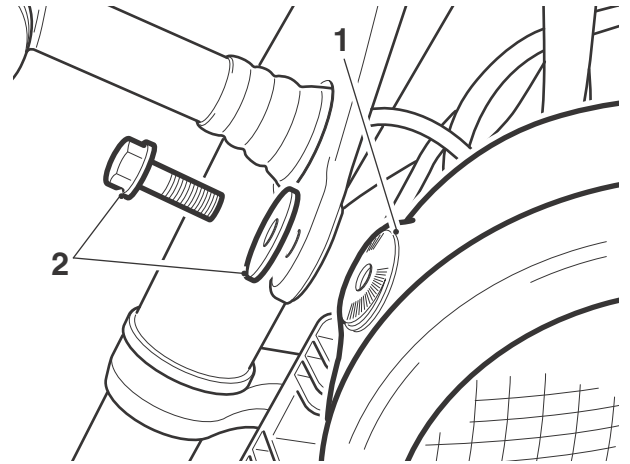
Warning

Throughout this operation, ensure that the motorcycle is stabilised and adequately supported to prevent risk of injury from the motorcycle falling.

Warning

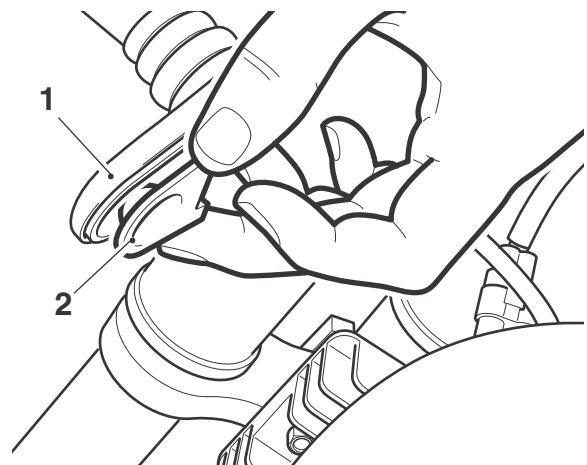
A torque wrench of known accurate calibration must be used when fitting this accessory kit. Failure to tighten any of the fasteners to the correct torque specification may result in loss of motorcycle control and an accident.

1. Remove the seat as described in the service manual.
2. Disconnect the battery, negative (black) lead first.
3. Remove the headlamp fixings. Support the headlamp ensuring it does not hang from the wiring harness. Retain the fixings for reuse.



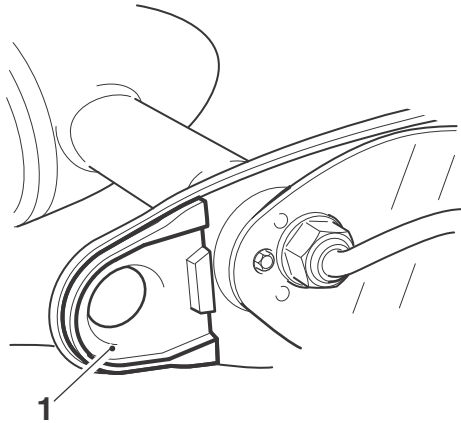
1. Headlamp
2. Fixings

4. If fitted, remove the spacer plates from the headlamp mounting brackets. Retain the spacer plates if the motorcycle is returned to original condition.



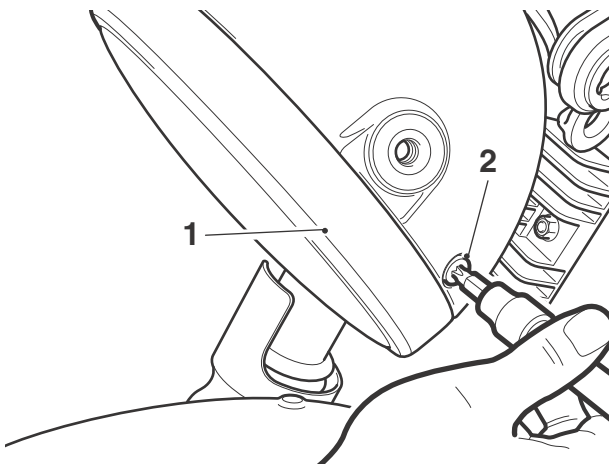
1. Headlamp bracket
2. Spacer, (if fitted)

5. If fitted, do not remove the original grommets from the headlamp mounting brackets.



1. Grommet

6. Remove the headlamp bezel fixings. Retain the fixings for reuse.

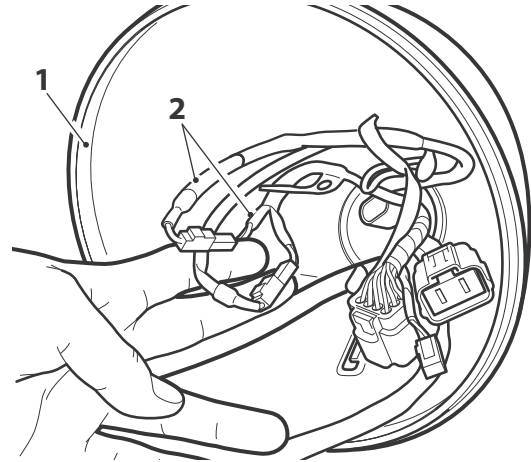


1. Headlamp bezel

2. Fixings

7. Remove the headlamp bezel. Support the headlamp bezel and lamp, ensure it does not hang from the headlamp wiring harness.

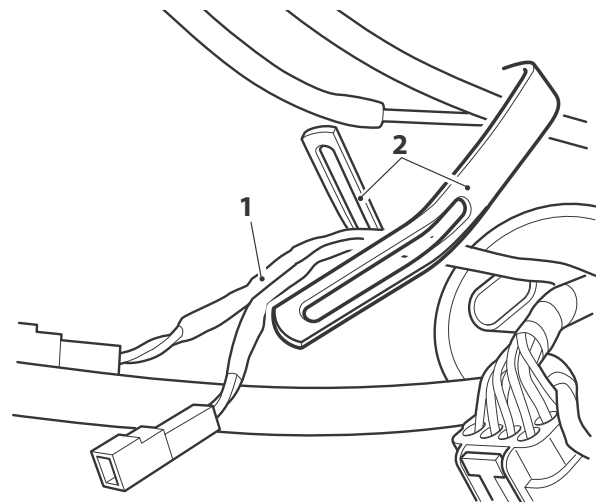
8. Locate the left and right hand indicator connections in the headlamp bowl (black and white wires). Mark the connections to aid identification on re-assembly.



1. Headlamp bowl

2. Indicator connections

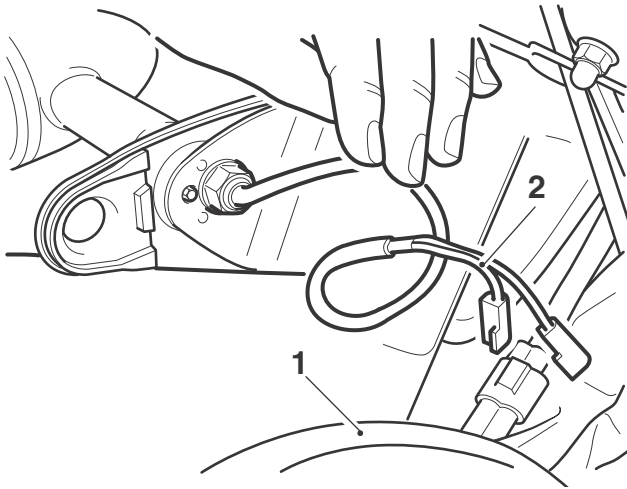
9. Disconnect both indicator connections.
10. Release any straps retaining the indicator wiring to the headlamp bowl.



1. Indicator wiring

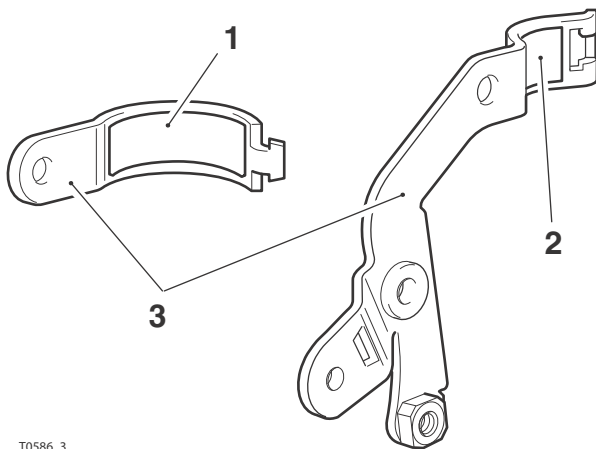
2. Strap

11. Gently pull the indicator wiring, through the grommet, out of the headlamp bowl.



- 1. Headlamp bowl
- 2. Indicator wiring

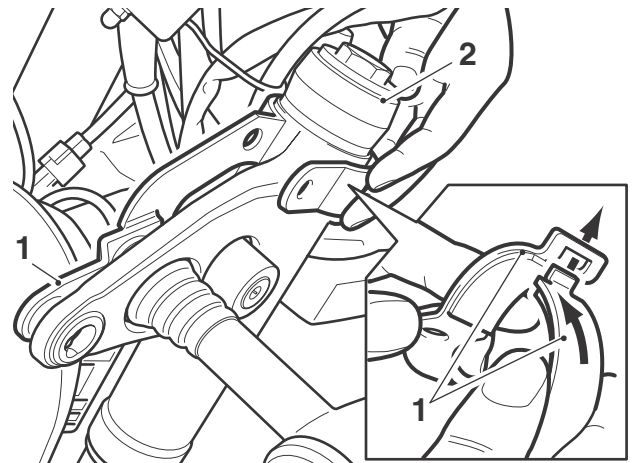
12. Peel off the backing strip from the back of the rubber pads.
13. Fit the large rubber pads to the smaller half of the left and right hand mounting brackets and the small rubber pads to the larger half of the brackets, as shown below.



- 1. Large rubber pad
- 2. Small rubber pad
- 3. Mounting brackets

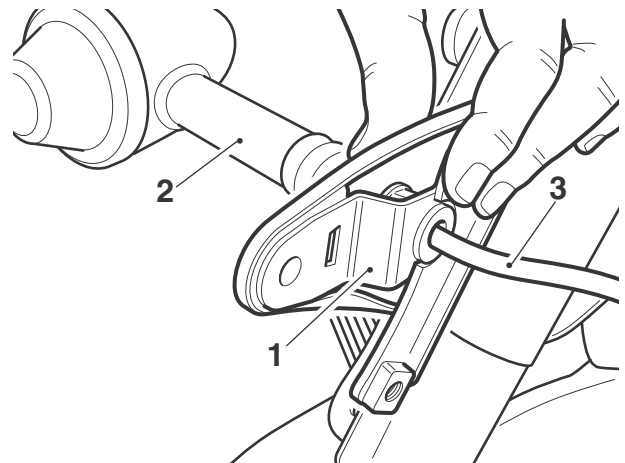
T0586_3

14. Locate the left hand and right hand mounting brackets in position, as shown below.



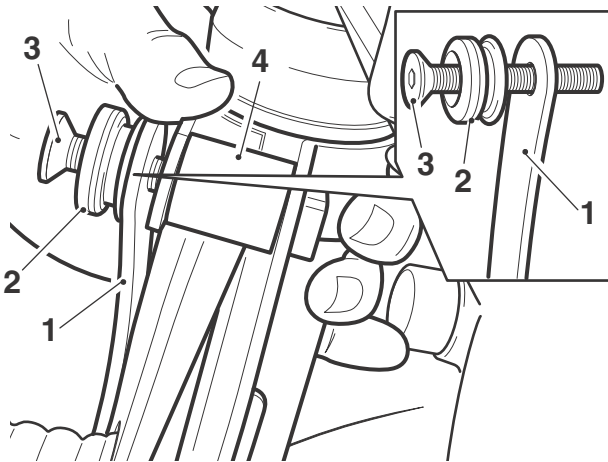
- 1. Mounting bracket
- 2. Fork leg

15. Feed the indicator wiring through the mounting brackets as shown below.



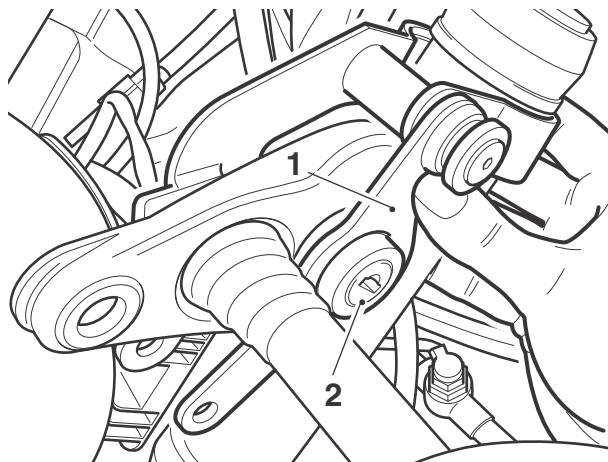
- 1. Mounting bracket
- 2. Indicator
- 3. Indicator wiring

16. Fit a countersunk head screw, upper mounting, right hand outer bracket and large spacer into the right hand mounting bracket. Do not fully tighten the screw at this stage.



1. Outer bracket
2. Upper mounting
3. Countersunk head screw
4. Large spacer

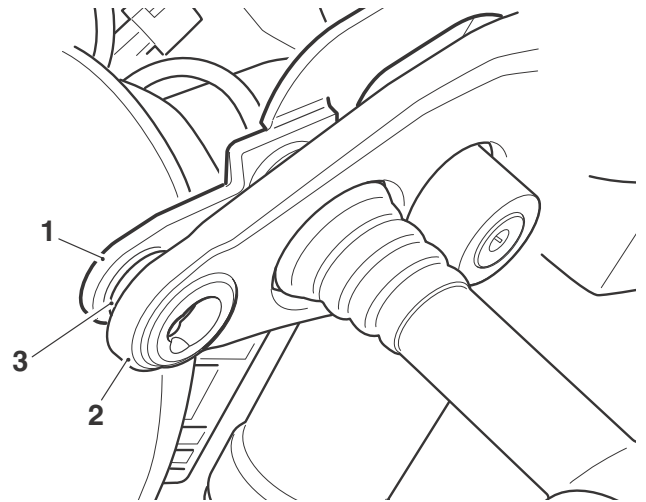
17. Repeat steps 14 to 16 for the left hand screen bracket. Note, the left hand outer bracket must locate correctly over the ignition barrel, as shown.



1. Outer bracket
2. Ignition barrel

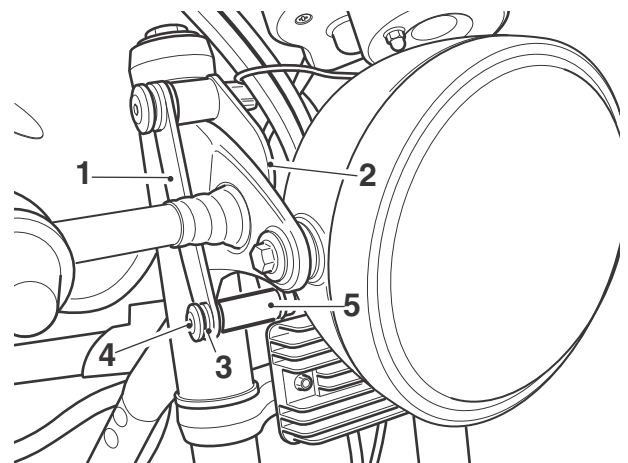
18. Feed the indicator wiring back through the grommet into the headlamp bowl.
19. Re-connect the indicators as noted earlier.
20. Refit the headlamp bezel and secure with the original fixings. Tighten to **3 Nm**.

21. Position one of the stainless steel spacers, aligning the holes of all three items as shown below.



1. Mounting bracket
2. Headlamp mounting
3. Stainless steel spacer

22. Repeat step 21 for the right hand side.
23. Refit the headlamp assembly and secure with the original fixings. Do not fully tighten the fixings at this stage.
24. Fit a button head screw, lower mounting and small spacer to the right hand mounting bracket and right hand outer bracket, as shown. Do not fully tighten the screw at this stage.



1. Outer bracket
2. Mounting bracket
3. Lower mounting
4. Button head screw
5. Small spacer

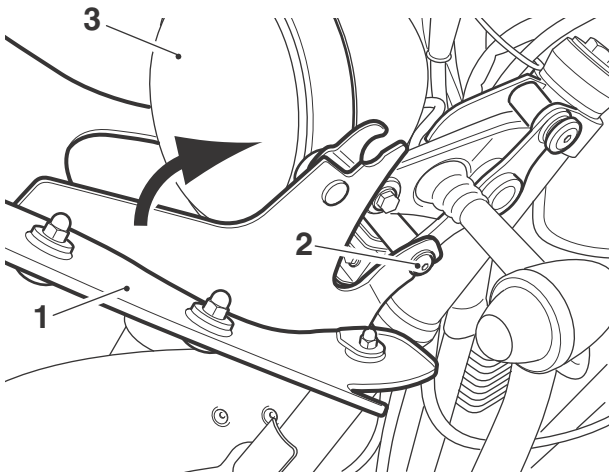
25. Repeat step 24 for the left hand side.
26. Re-connect the battery, positive (red) lead first.
27. Switch on the ignition and check that the headlamp and indicators operate correctly. Rectify as necessary.
28. Refit the seat as described in the service manual.

29. Adjust the headlamp beam alignment as described in the service manual.
30. Tighten the headlamp fixings to **10 Nm**.
31. Visually check that the mounting brackets and outer brackets are parallel. Re-position the brackets if necessary, repeating the appropriate steps from 14 to 30, to ensure the mounting brackets and outer brackets are parallel.

Note:

- **The screen must be temporarily fitted to check the screen alignment with the headlamp, before the mounting bracket fixings are fully tightened.**

32. Stand astride the front wheel with a firm grip on both sides of the screen close to the upper mountings.
33. Locate the screen onto the lower mountings. Carefully rotate the screen over the headlamp, as shown.

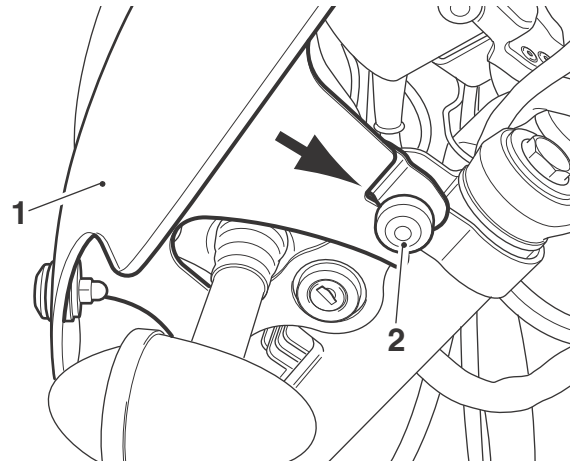


1. Screen
2. Lower mounting
3. Headlamp

Note:

- **An audible click can be heard when the screen upper mountings are fully engaged.**

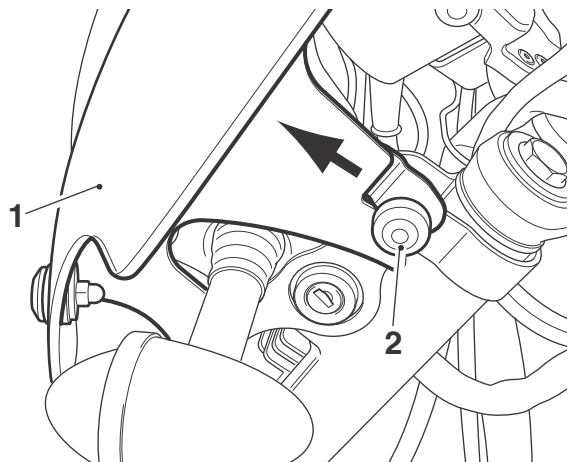
34. Align the screen upper mounting slots with the upper mountings. With a firm push, fully engage the upper mountings.



1. Screen
2. Upper mountings

35. Ensure the screen locates correctly over the headlamp and locks in position.

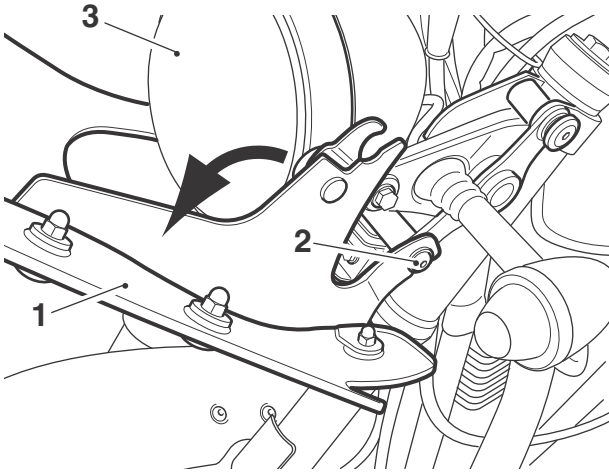
36. To remove the screen, stand astride the front wheel and firmly grip both sides of the screen close to the upper mounting.



1. Screen
2. Upper mounting

37. Pull the screen firmly to disengage the upper mountings.

38. Carefully rotate the screen away from the headlamp, as shown below, and lift clear from the lower mounting.



1. Screen
2. Lower mounting
3. Headlamp

Note:

- **During steps 39 to 41 only one screw must be removed at any time.**
39. Remove the left hand side countersunk head screw and upper mounting. Ensure the spacer and all brackets remain in position. Apply 2 - 3 drops of ThreeBond 1305, or equivalent thread locking compound, to the screw threads. Refit the screw and upper mounting. Tighten the screw to **22 Nm**.
 40. Repeat step 39 for the left hand side button head screw and lower mounting.
 41. Repeat steps 39 and 40 for the right hand side.
 42. Repeat steps 32 to 35 to refit the screen.

Warning

If, after fitment of this accessory kit, you have any doubt about the performance of any aspect of the motorcycle, contact an authorised Triumph dealer and do not ride the motorcycle until the authorised dealer has declared it fit for use. Riding a motorcycle when there is any doubt as to any aspect of the performance of the motorcycle may result in loss of control of the motorcycle leading to an accident.

Warning

After fitting the quick release screen the motorcycle will exhibit new handling characteristics. Operate the motorcycle in a safe area free from traffic to gain familiarity with any new characteristics. Operation of the motorcycle when not familiar with any new handling characteristics may result in loss of motorcycle control and an accident.

Warning

Never attempt to clean the screen while riding the motorcycle. Removal of the rider's hands from the handlebars while riding the motorcycle will diminish the ability of the rider to maintain control of the motorcycle. Attempting to clean the screen while riding the motorcycle may result in loss of control of the motorcycle and an accident.

Warning

Never ride an accessory equipped motorcycle at speeds above 80 mph (130 km/h).

The presence of accessories will cause changes in the stability and handling of the motorcycle. Failure to allow for changes in motorcycle stability may lead to loss of control or an accident.

Remember that the 80 mph (130 km/h) limit will be reduced by the fitting of non-approved accessories, incorrect loading, worn tyres, overall motorcycle condition and poor road or weather conditions.



Warning

The quick release screen is not a substitute for a safety helmet or eye protection. Quick release screens are designed to provide wind protection and increased riding comfort. They are not designed to provide protection in the event of a collision with another vehicle, the road, birds or any other object. When riding a motorcycle both rider and passenger must always wear a safety helmet, eye protection, boots, gloves and trousers (close fitting around the knees and ankle). Although full protection is not possible, wearing the correct protective clothing can reduce the risk of injury when riding.



Warning

Only operate this Triumph motorcycle at high speed in closed-course on road competition or on closed-course racetracks. High speed operation should only be attempted by riders who have been instructed in the techniques necessary for high speed riding and are familiar with the motorcycle's characteristics in all conditions.

High speed operation in any other circumstances is dangerous and will lead to loss of motorcycle control and an accident.



Warning

The motorcycle must not be operated above the legal road speed limit except in closed-course conditions.